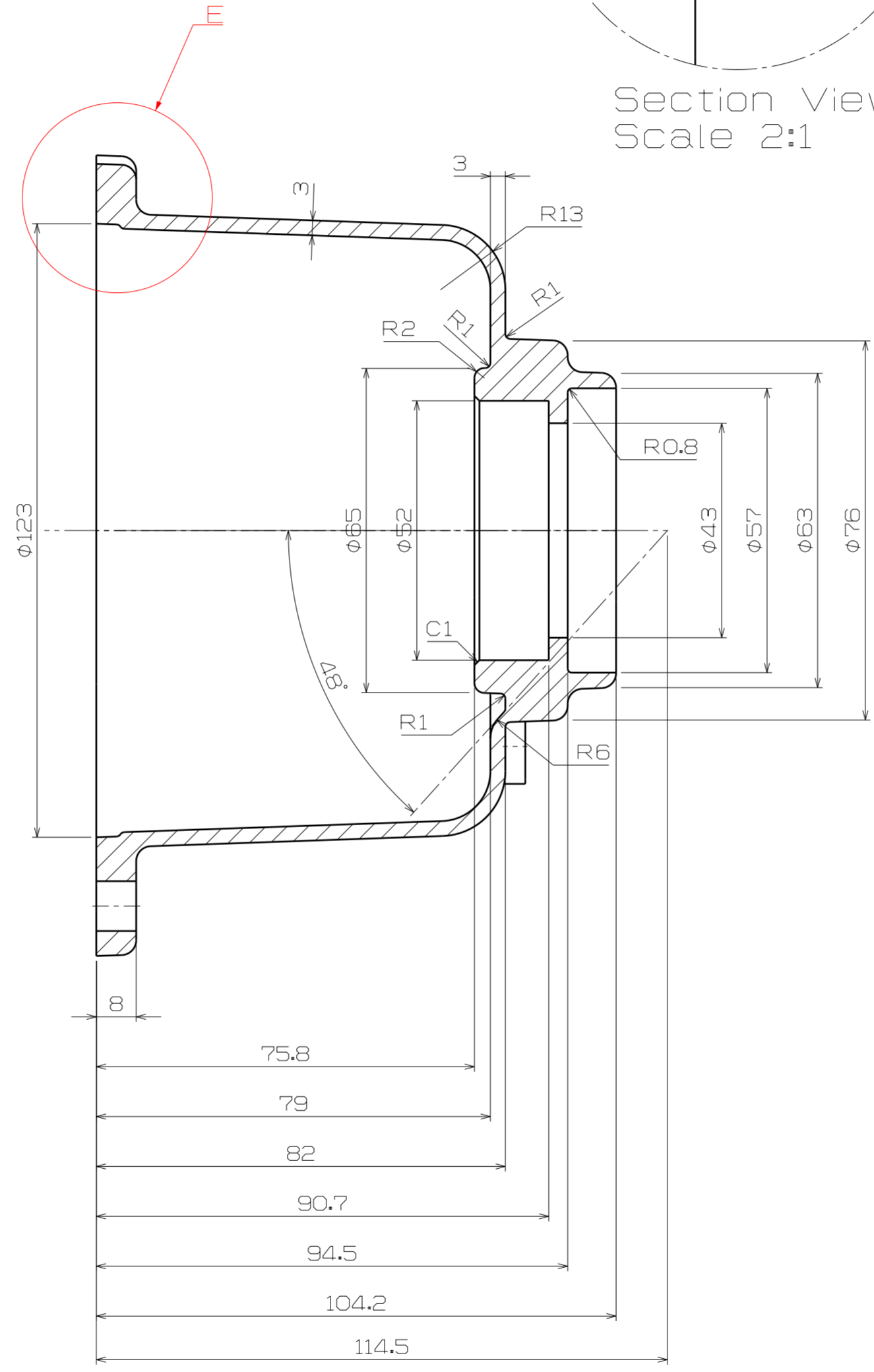
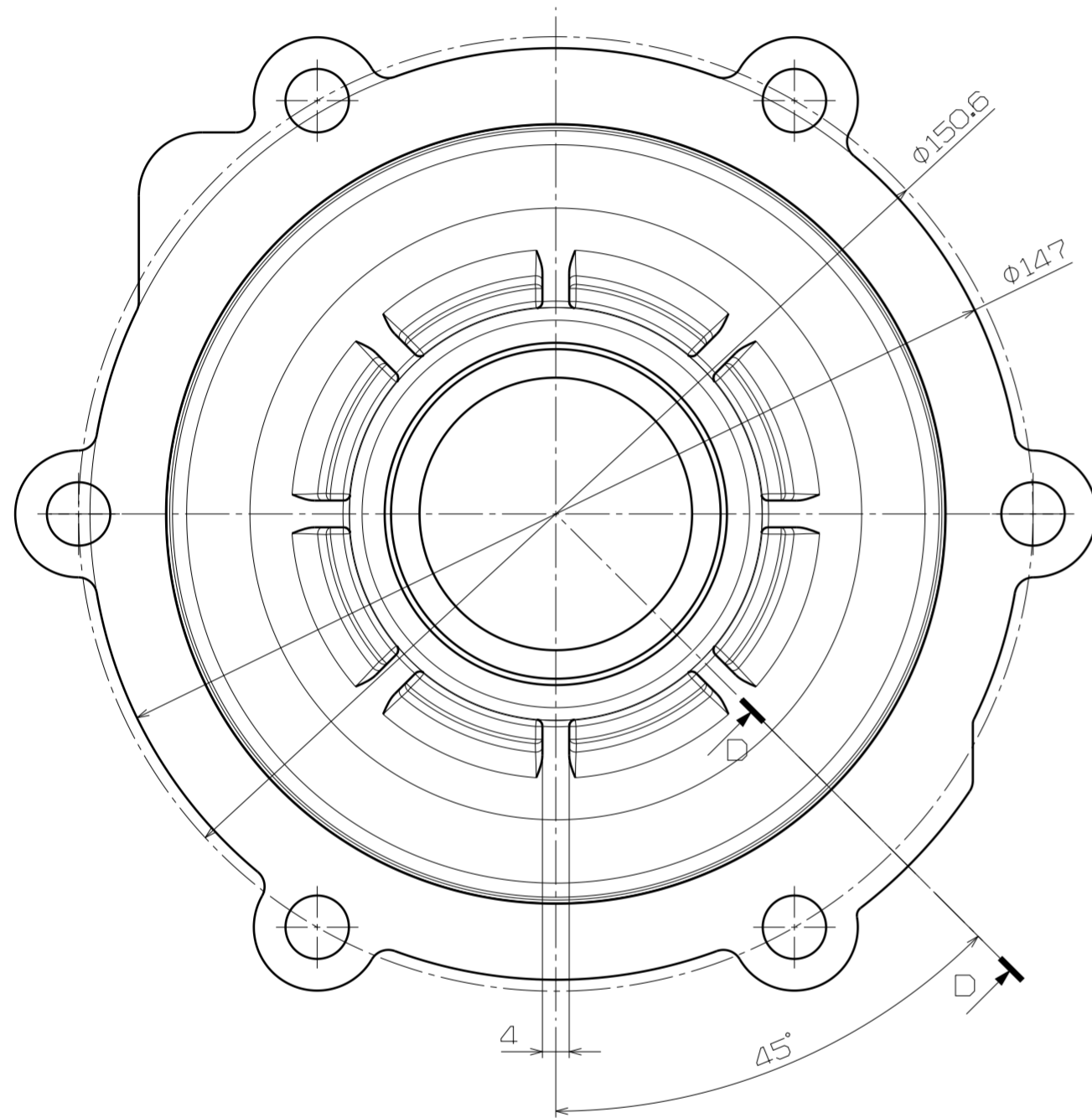
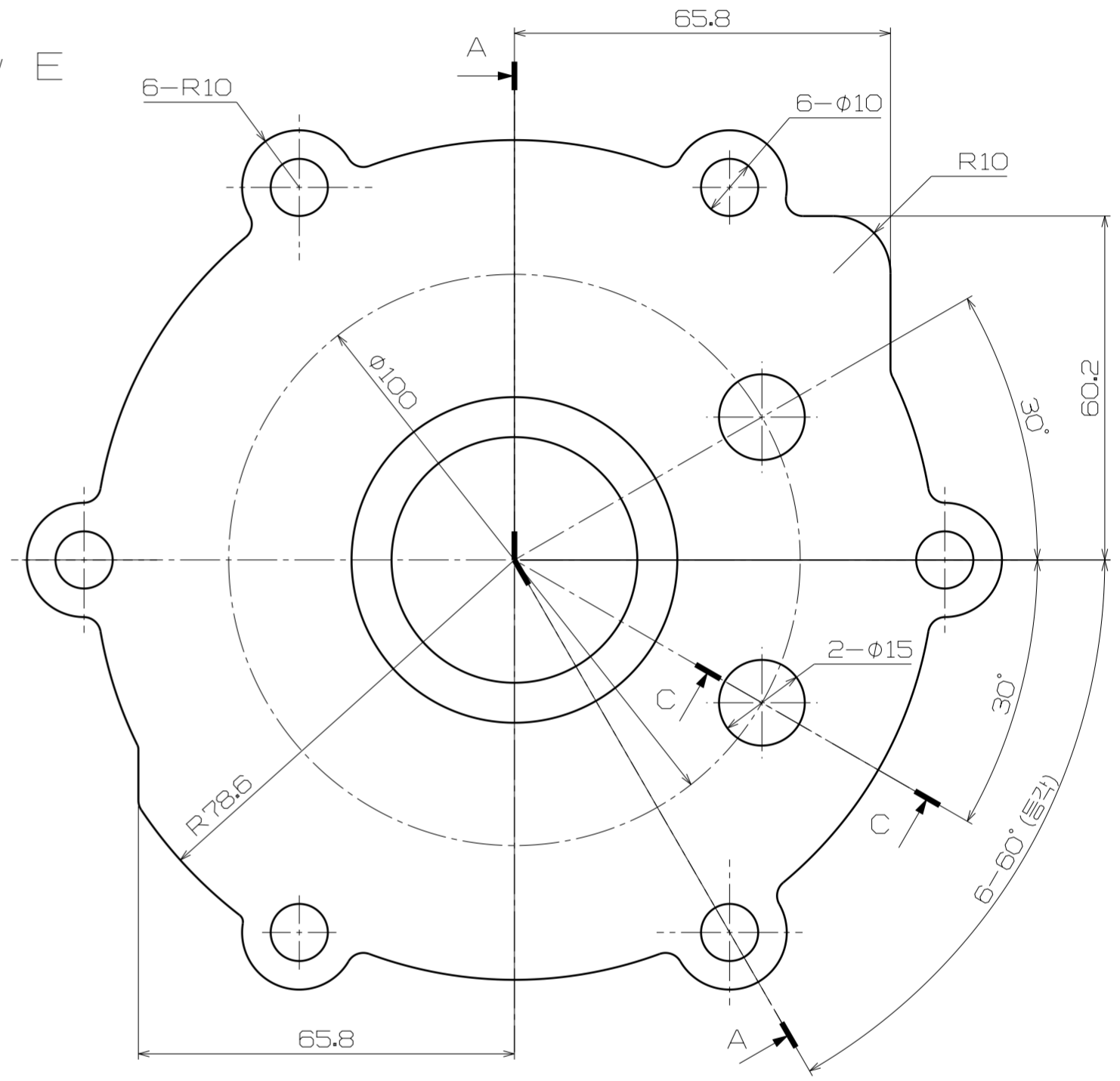


Section View E
Scale 2:1

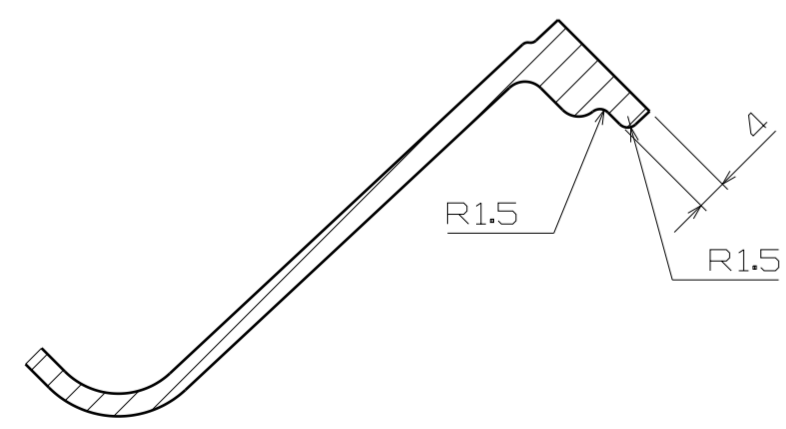
NOTE
1. Unspecified Fillet Radius : R3
2. Draft Angle : 2deg



Section View A-A



Section View C-C



Section View D-D

