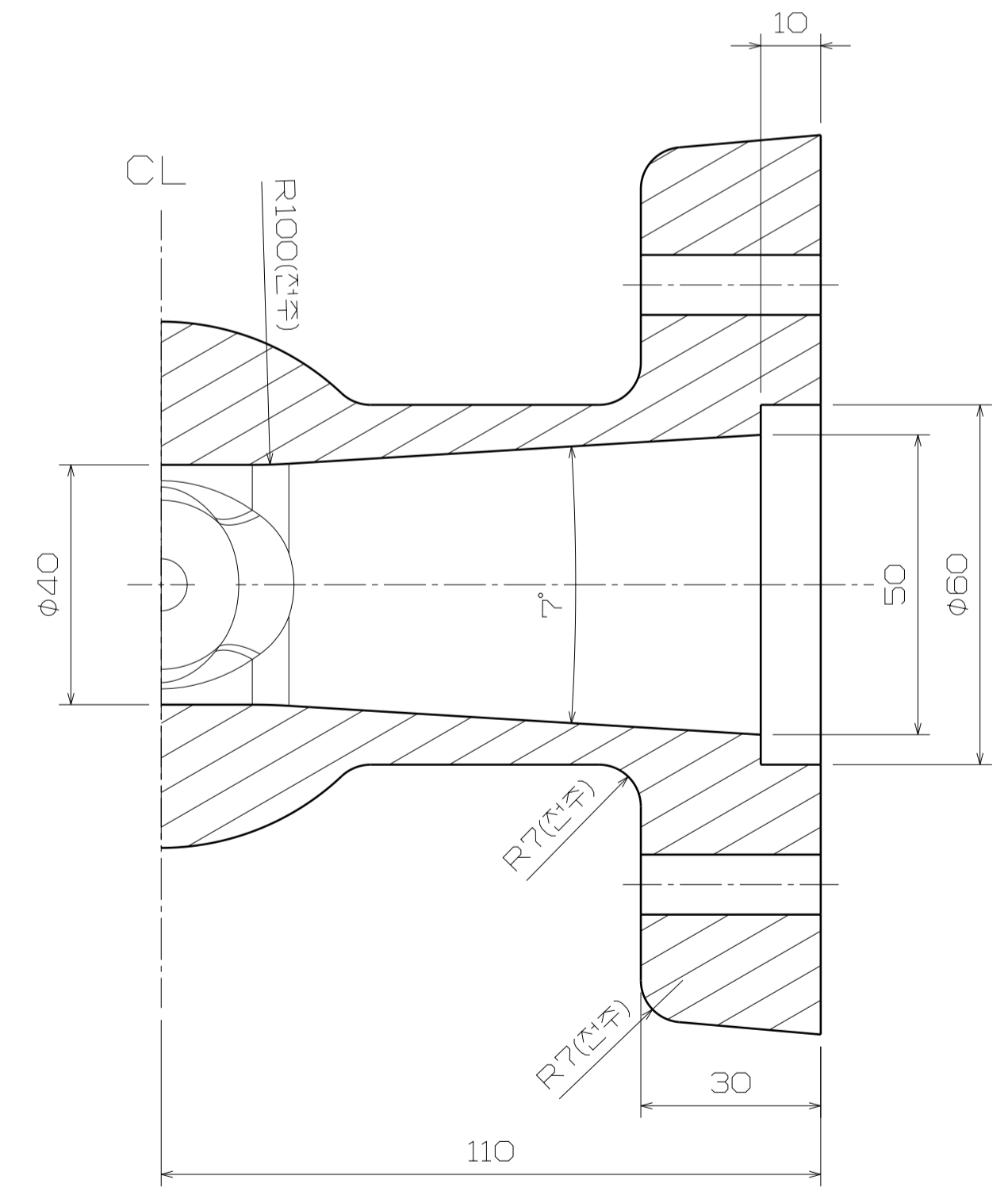


Section Cut B-B



Section Cut C-C