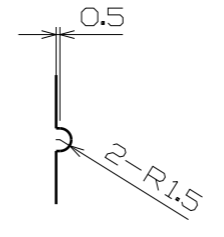
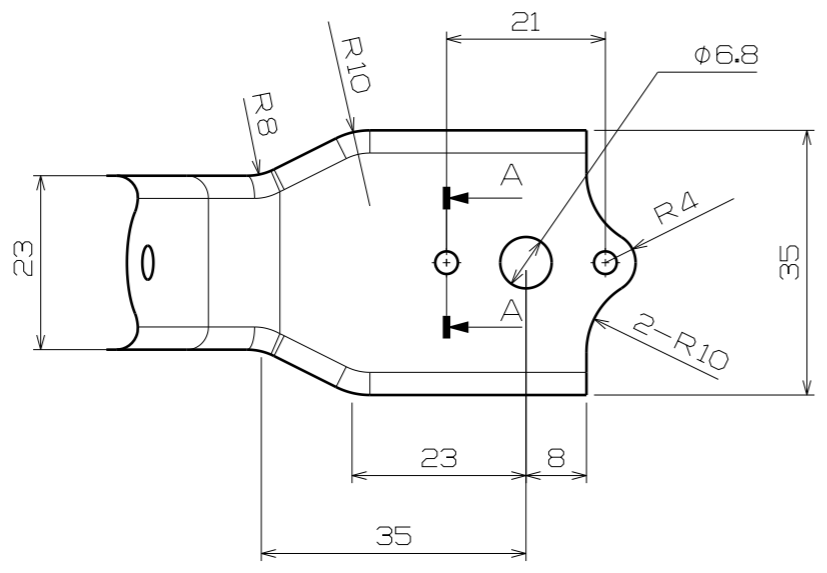
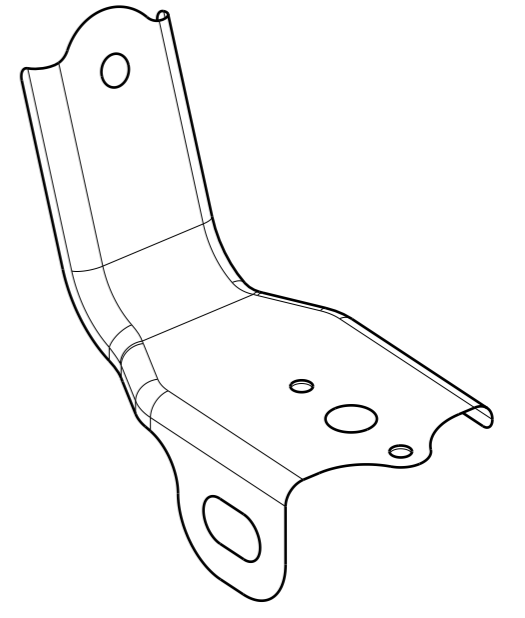


H G F E D C B A

4

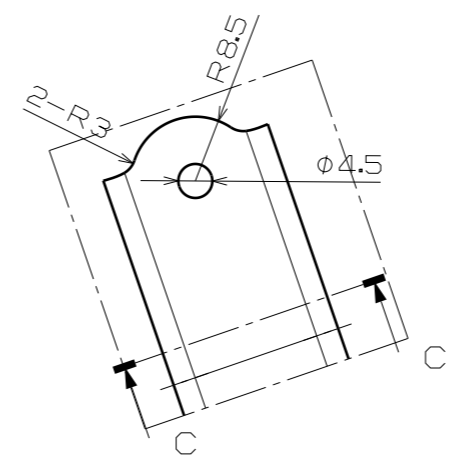


Section Cut A-A



4

3

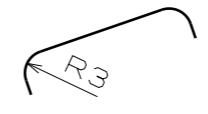
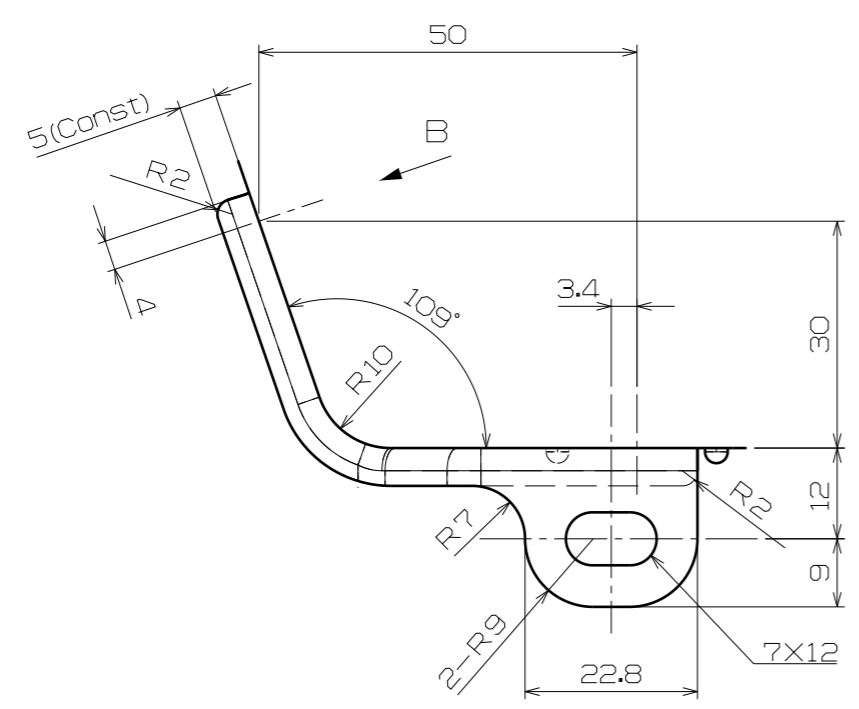


Auxiliary View B

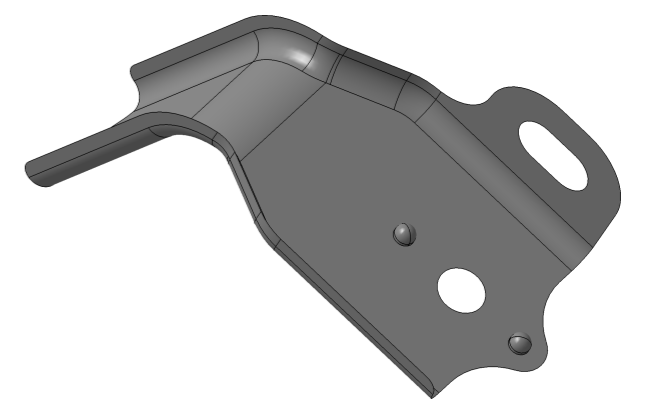


3

2



Section Cut C-C



2

1

H G F E D C B A