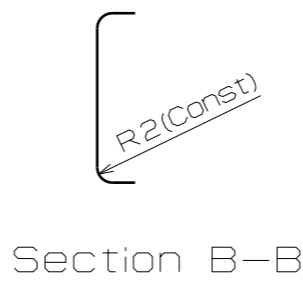
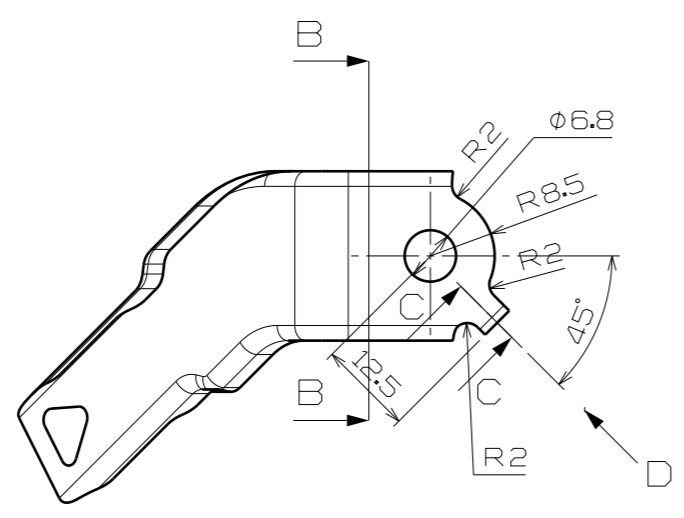


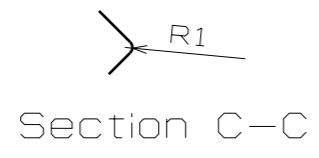
H G F E D C B A

4

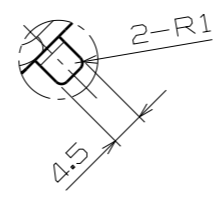
4



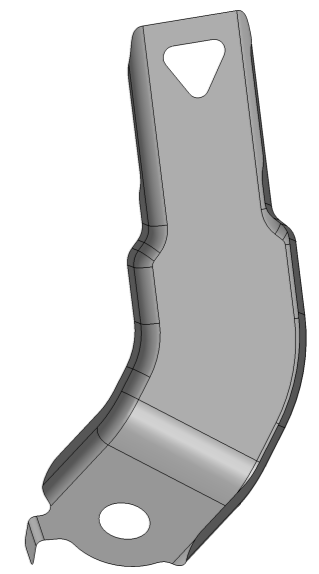
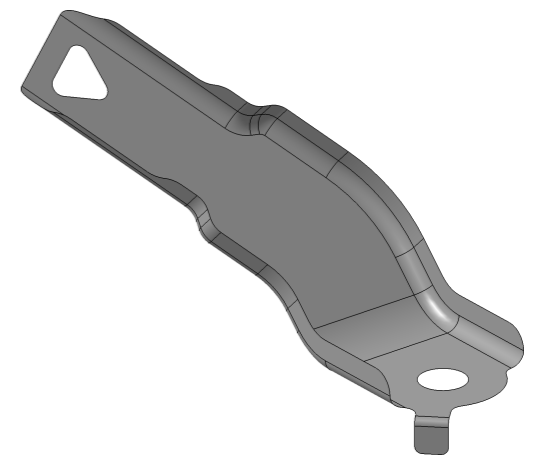
Section B-B



Section C-C

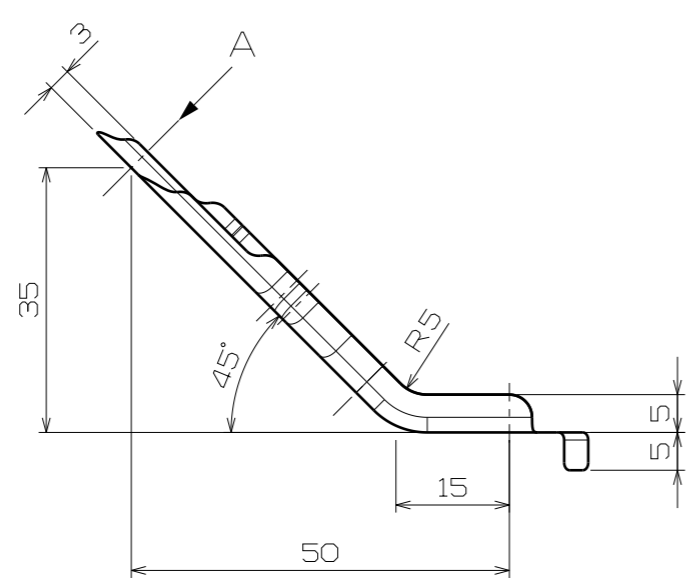


Auxiliary View D

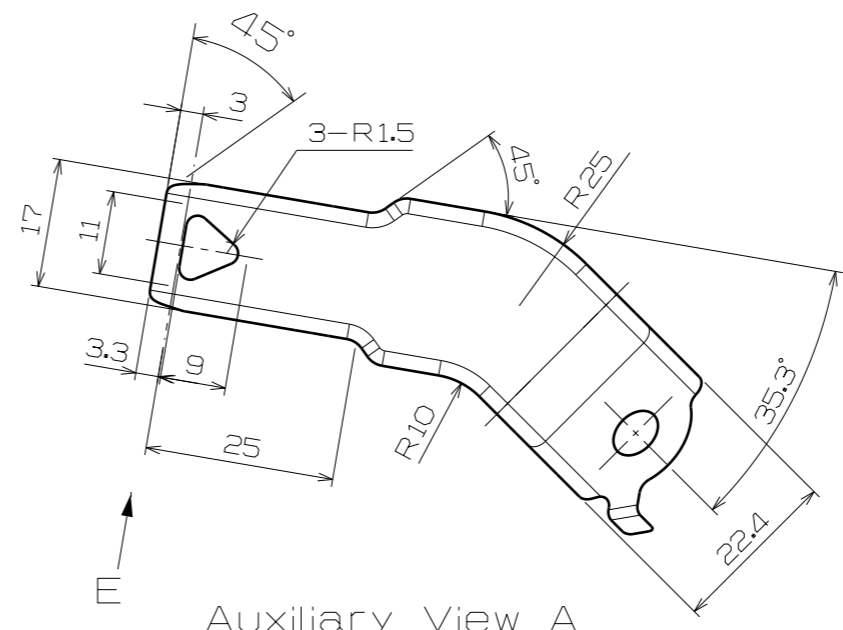


3

3



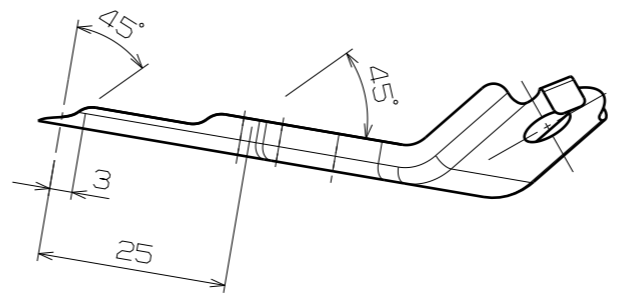
Auxiliary View A



Auxiliary View E

2

2



Auxiliary View E

NOTE
 1. 지시하지 않은 Fillet Radius : R3

H G F E D C B A

1

1