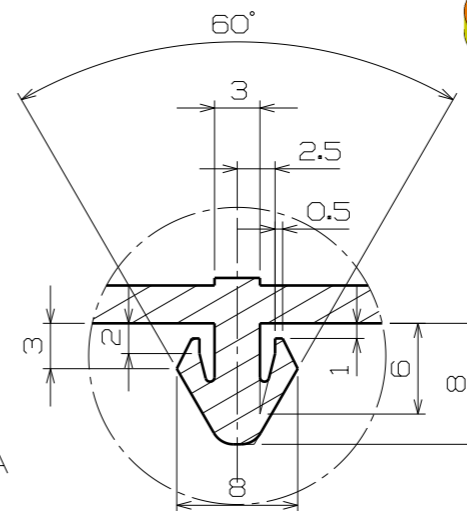
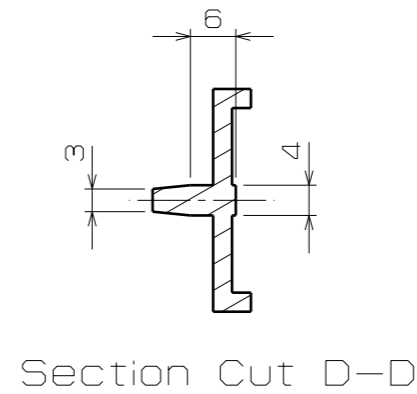
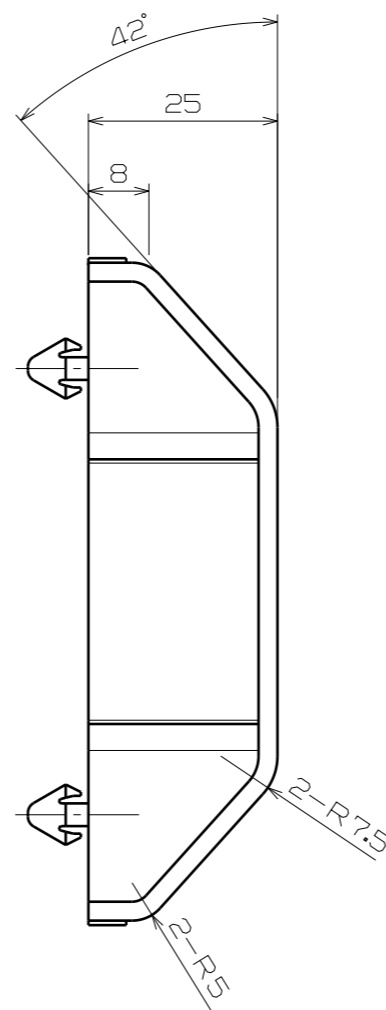
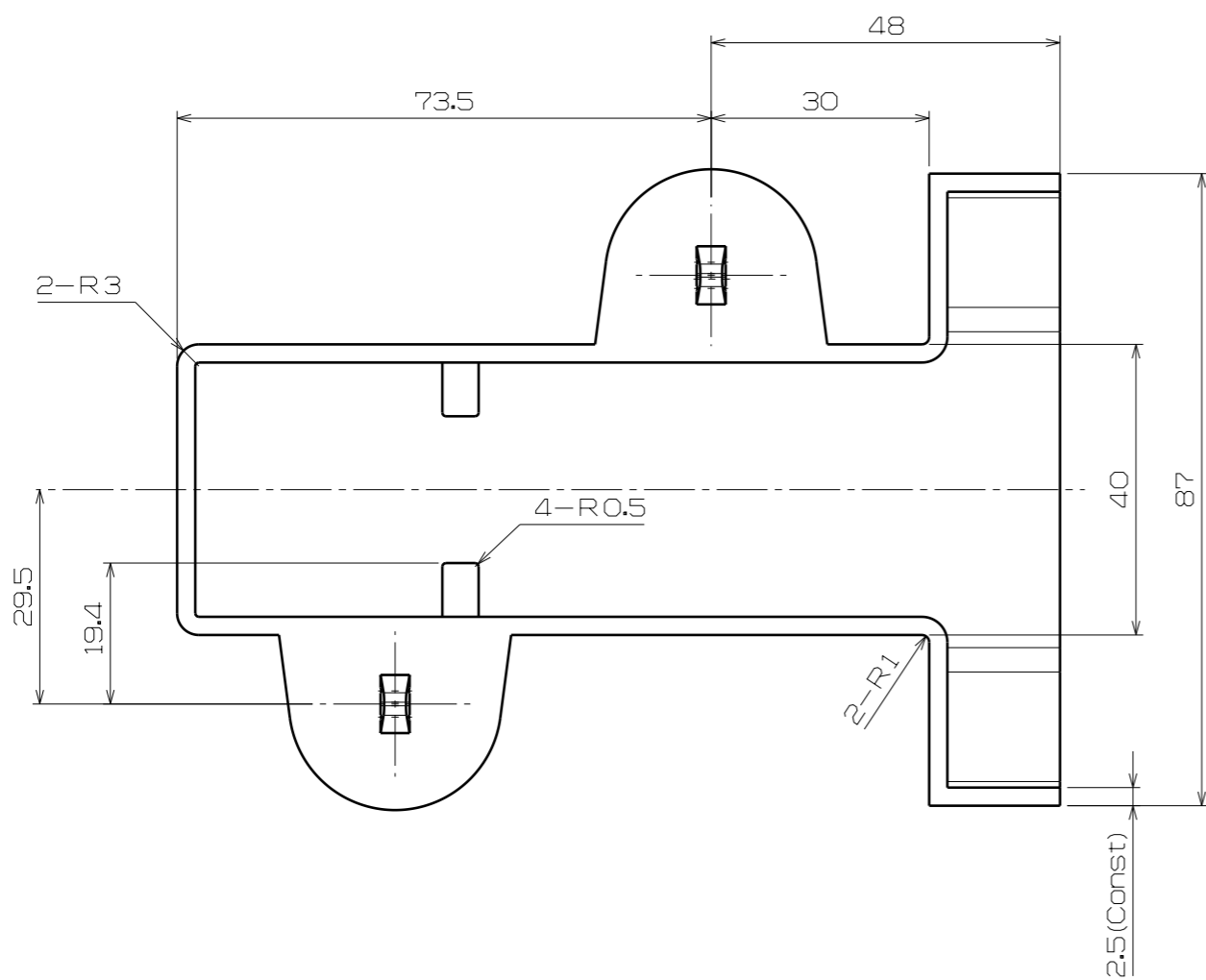
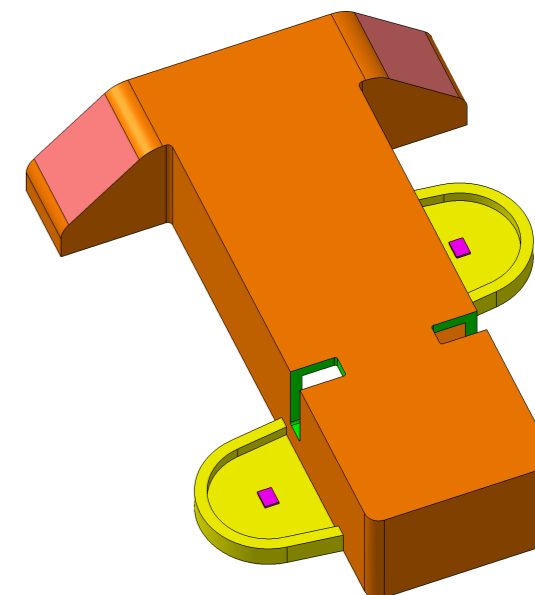
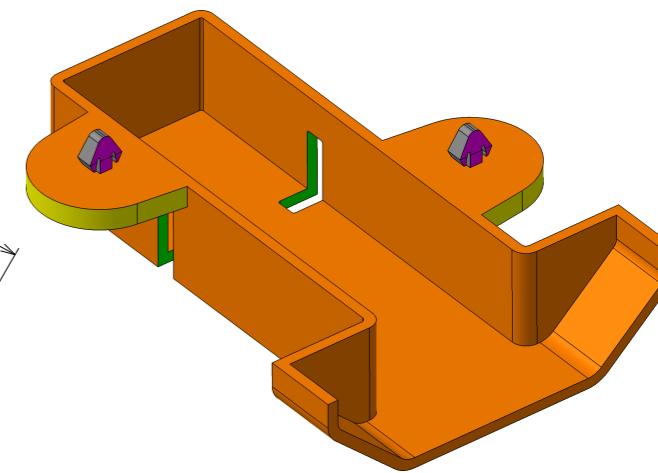


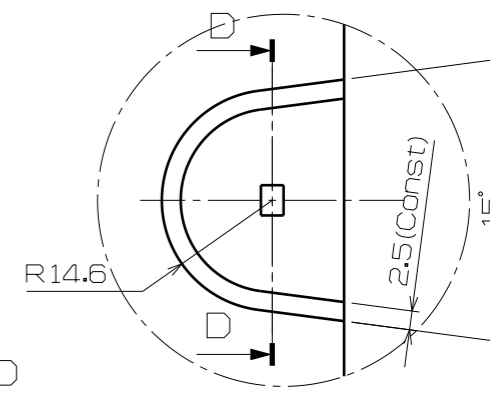
Section Cut A-A



Detail C
Scale 2:1



Section Cut D-D



Auxiliary View B