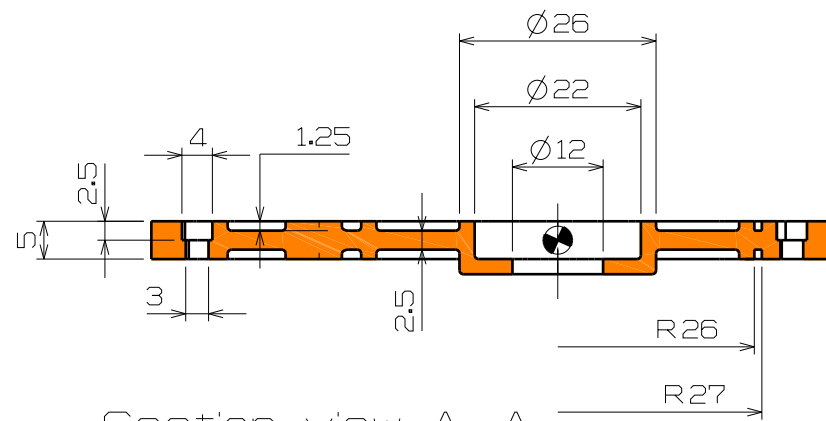
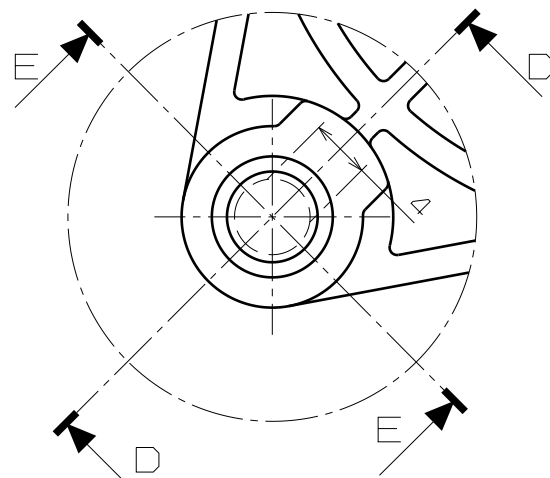
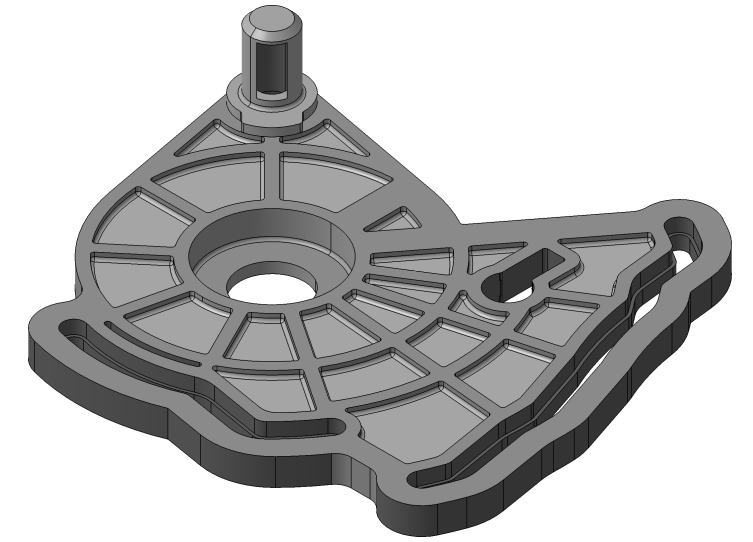


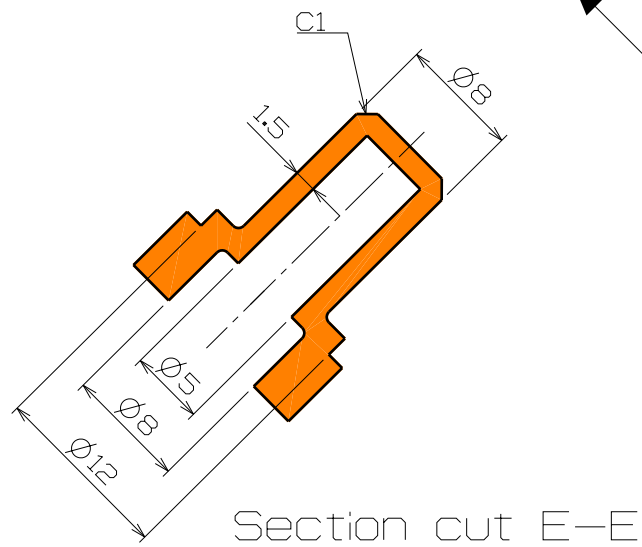
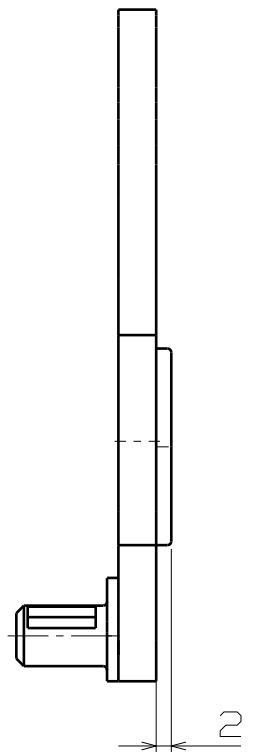
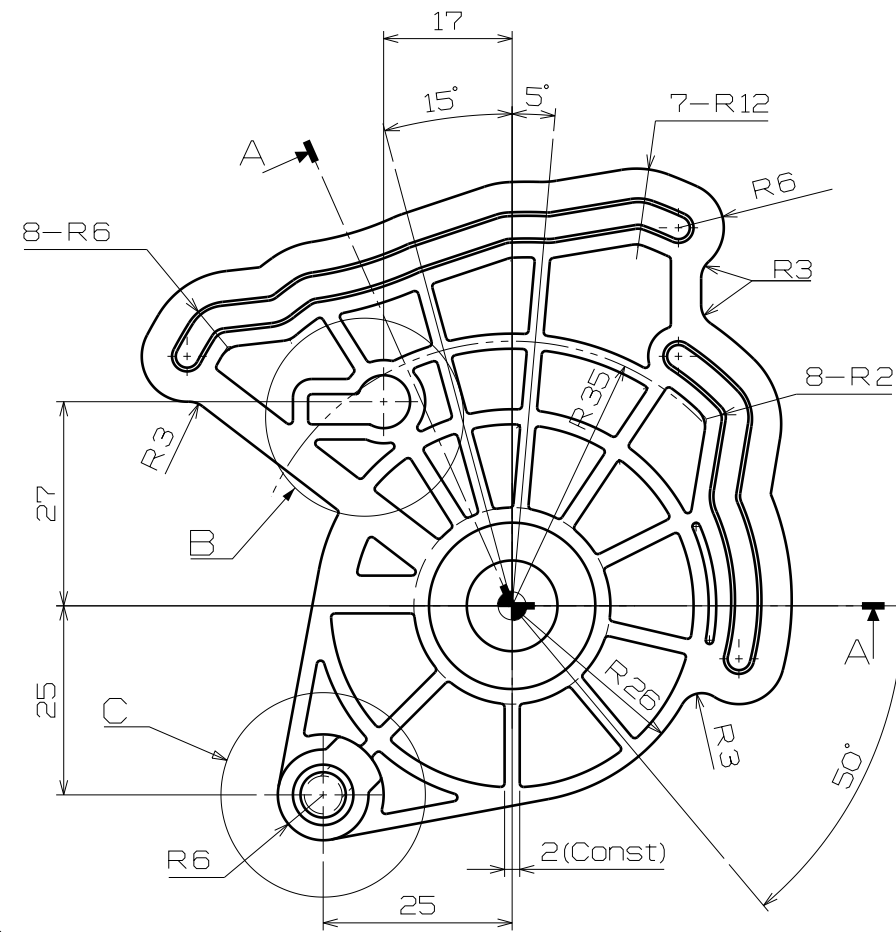
Detail B
Scale: 2:1



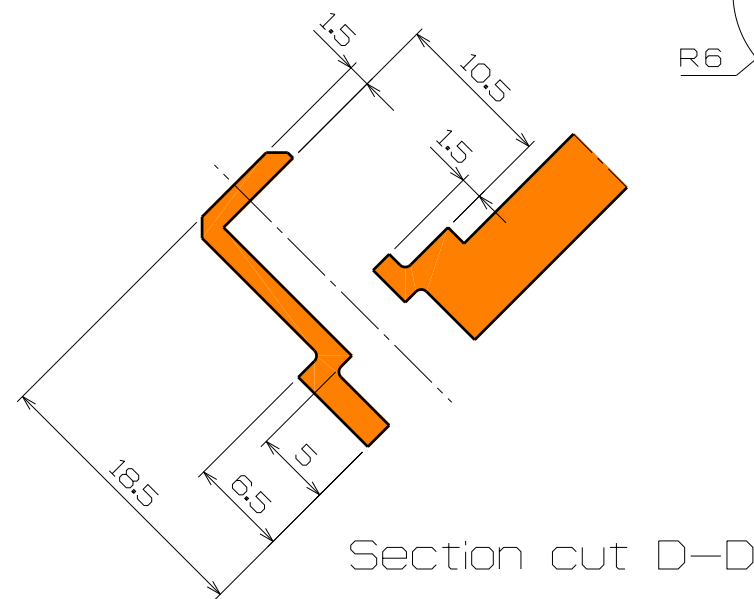
Section view A-A



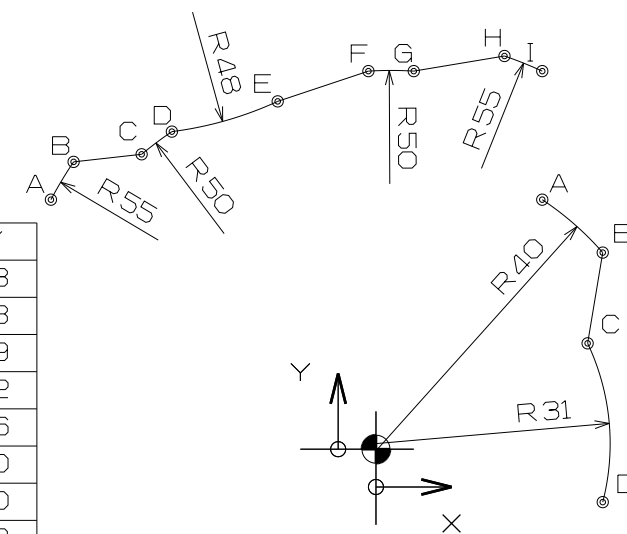
Detail C
Scale: 2:1



Section cut E-E



Section cut D-D



REF.	X	Y
A	-43	33
B	-40	38
C	-31	39
D	-27	42
E	-13	46
F	-1	50
G	5	50
H	17	52
I	22	50

REF.	X	Y
A	22	33
B	30	26
C	28	14
D	30	-7

NOTE
Unspecified Fillet : 0.5