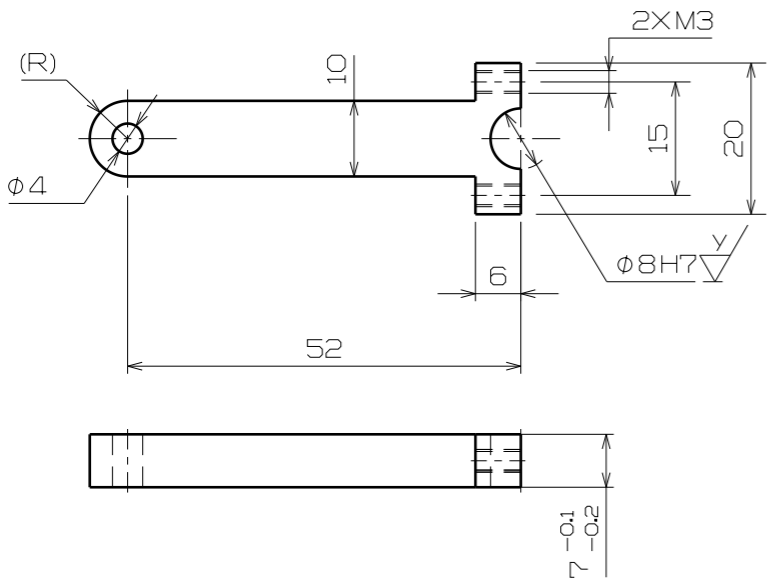
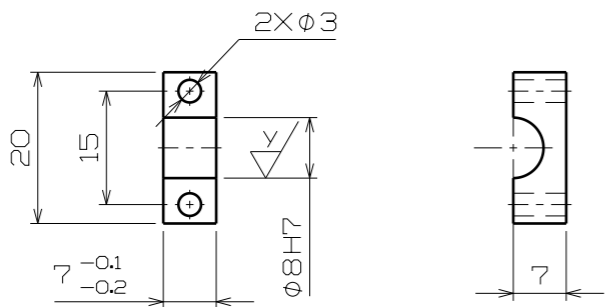


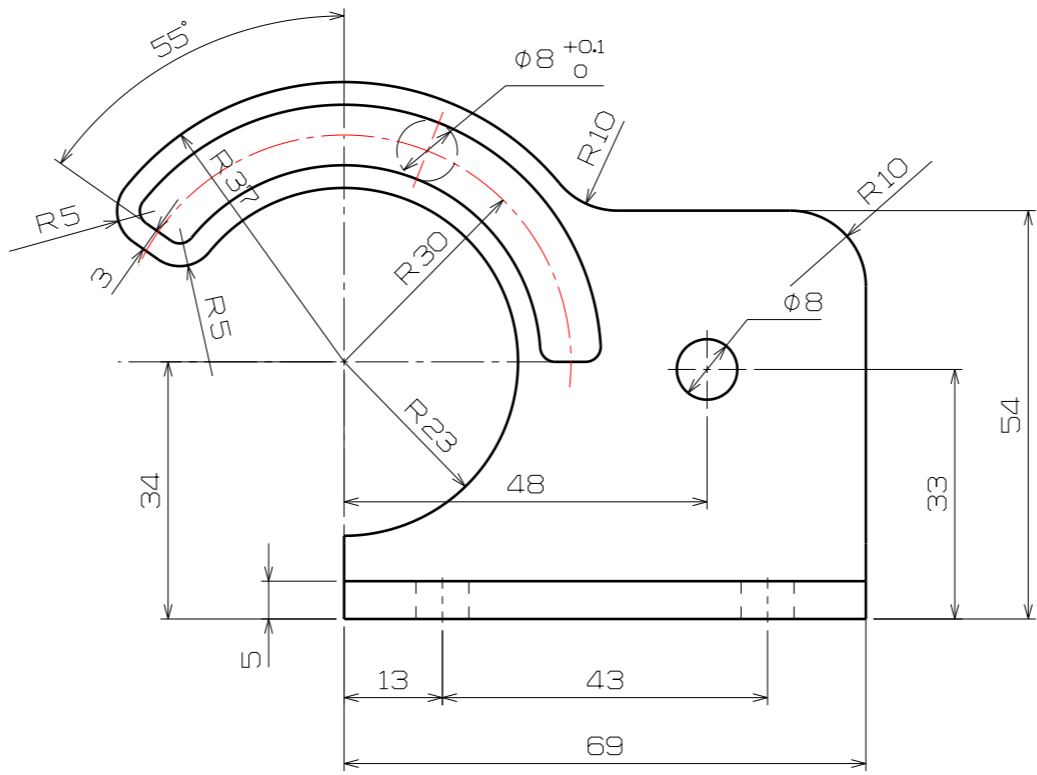
② Connector Body, $\sqrt{x/y}$



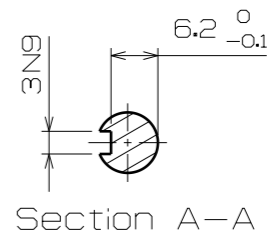
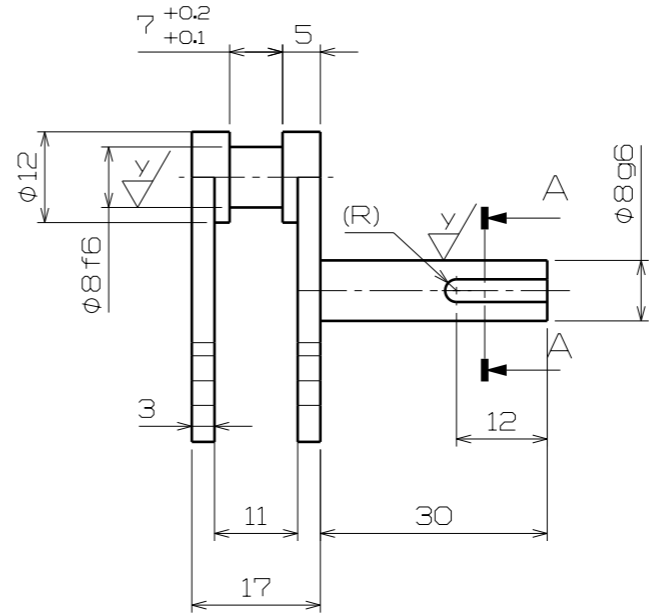
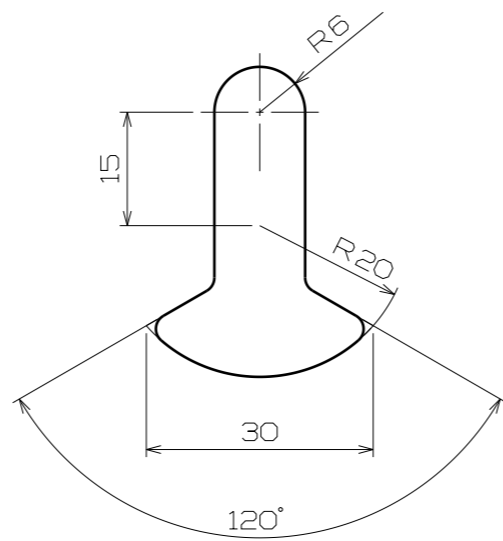
⑤ Stopper Body, $\sqrt{x/y}$



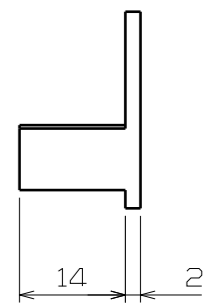
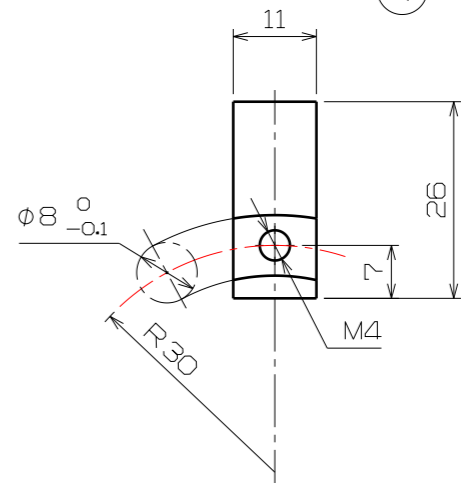
① Main Body, $\sqrt{x/y}$



③ Crank Body, $\sqrt{x/y}$



④ Arm Body, $\sqrt{x/y}$



NOTE
1. Unspecified Fillet Radius : R2