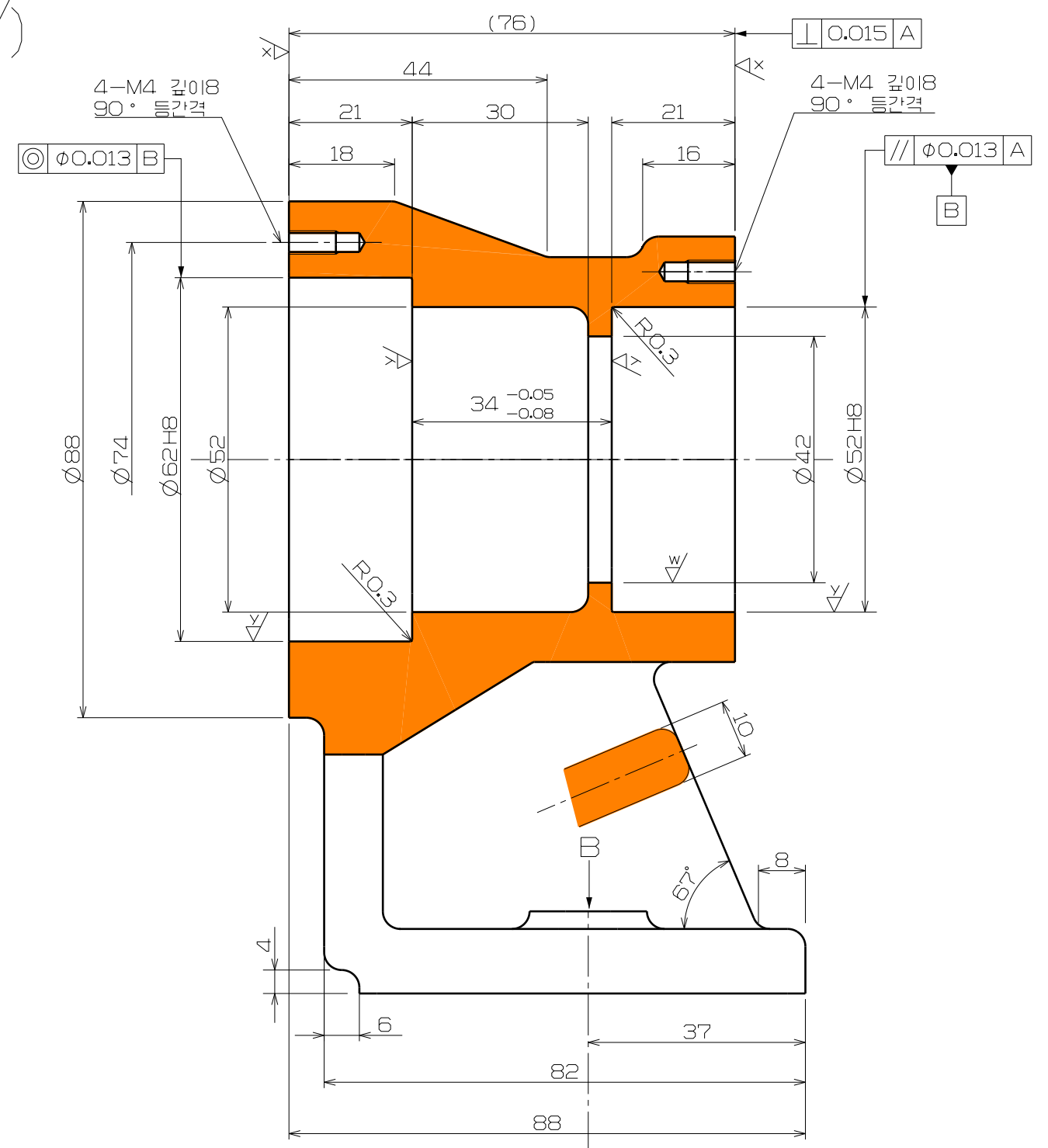
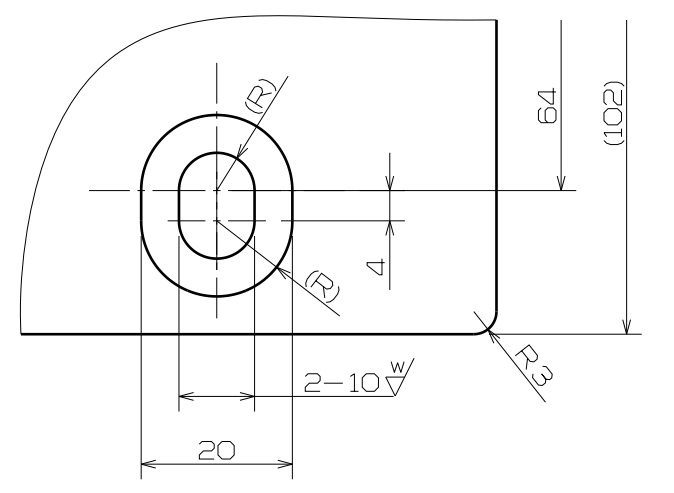


①  $\nabla$  ( $\nabla_w$ ,  $\nabla_x$ ,  $\nabla_y$ )



Section A-A



View B

